

XD30 Inverted Biological Microscope



Microteb

Tel: 021 66 97 60 37

Fax: 021 66 90 33 54

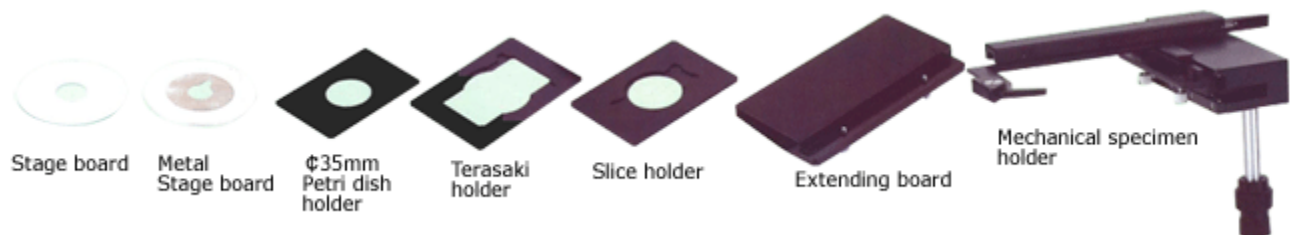
www.microteb.com

Specification:

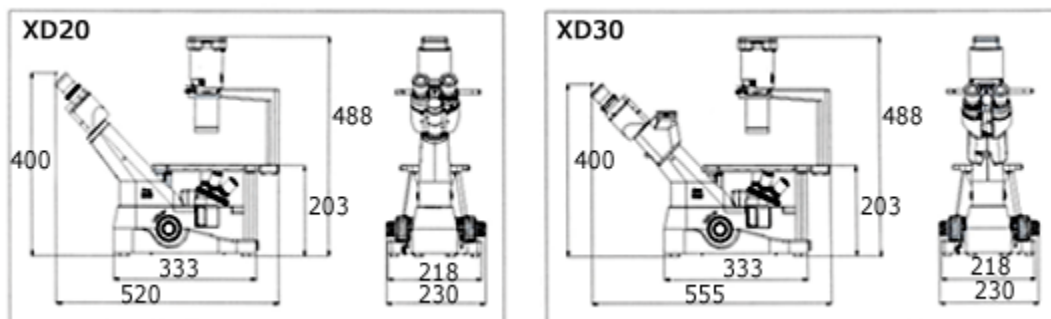
Items	Specification	XD30	XD30-A
Optical system	Infinite Chromatic Correction Optical System (CSIS)	●	●
Eyepiece	PL10X/22mm	●	●
LWD Infinity Plan Achromat Objective	LWD Plan 4X/0.10 WD 22	●	●
	LWD Plan 10X/0.25 WD 7.94	●	●
	LWD Plan 20X/0.40 WD 7.66	○	○
	LWD Plan 40X/0.60 WD 3.71	●	●
	LWD Plan 60X/0.70 WD 2.62	●	●
	LWD Phase Contrast 10X/0.25 WD 7.94	○	●
	LWD Phase Contrast 20X/0.40 WD 7.66	●	●
	LWD Phase Contrast 40X/0.60 WD 3.71	○	●
Viewing Head	Binocular Head	○	○
	Trinocular Head	●	●
Nosepiece	Quintuple	●	●
Stage	Plan stage 160 X 250 mm	●	●
Illumination	6V 30W Halogen bulb (adjustable filament center)	●	●
Condenser	N.A.0.3, WD72mm	●	●
Phase Annulus	Phase Contrast Annular: 10X/20X, 40X	●	●
Other Part	Cultural Vessel, Ö35	●	●

Note: "●" In Table Is Standard Attachment. "○" Is Optional Accessories.

Stage and related accessories:



Dimensions:



Microteb

Tel: 021 66 97 60 37

Fax: 021 66 90 33 54

www.microteb.com