

# MDS Series Metallurgical Microscope

---



**Microteb**

Tel: 021 66 97 60 37

Fax: 021 66 90 33 54

[www.microscope.ir](http://www.microscope.ir)

## Specification:

Note: "●" In Table Is Standard Attachment. "○" Is Optional Accessories.

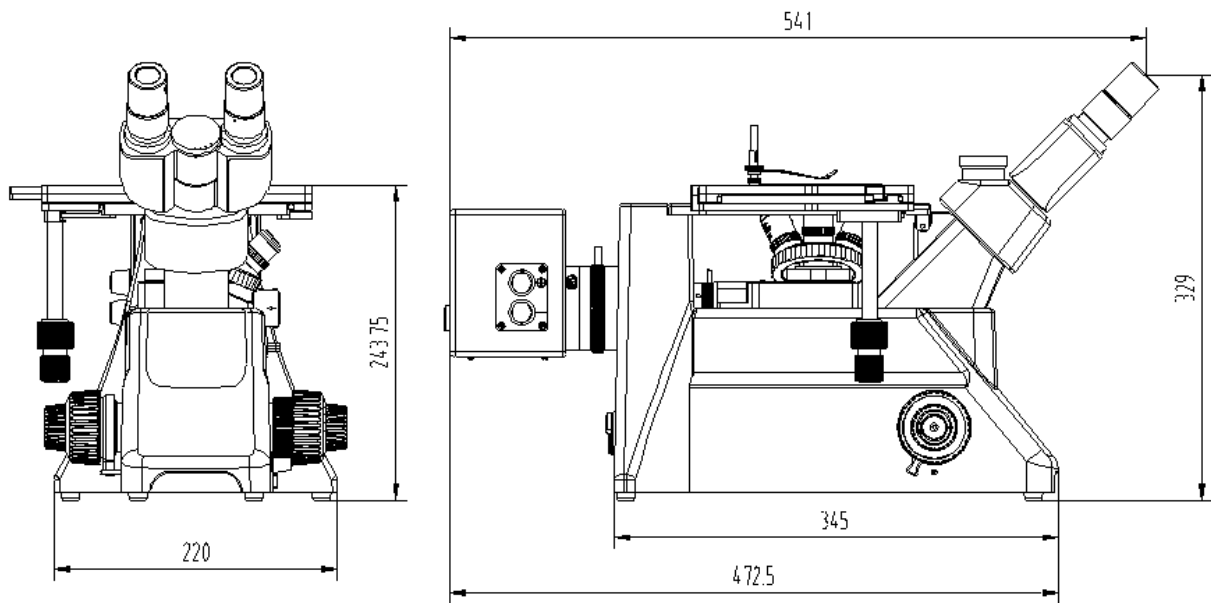
Items	Specification	MDS
<b>Eyepieces</b>	WF10×/Φ18	●●
	WF10×/Φ20	○○
	WF12.5×/Φ14	●●
	WF16×/Φ13	○○
	Huygenian Ocular 5×/Φ20	○○
	WF10×/Φ18 (Reticule)	●
<b>Plan Achromatic Objectives</b>	Plan 2.5×/0.07	○
	Plan 4×/0.10	○
	Plan 10×/0.25	●
	Plan 20×/0.35(S)	●
	Plan 40×/0.65(S)	●
	Plan 100×/1.25(S)(Oil)	●
<b>Trinocular Head</b>	Inclined 45°, Light Distribution:20:80	●
<b>Mechanical Stage</b>	Travel Range: 50mm×40mm Size: 180mm×165mm	●
<b>Stage Plate</b>	1 (Φ10)	●
	2 (Φ20)	●
	3 (Φ40)	○
<b>Set of Stage Plate</b>		●
<b>Main Body</b>		●
<b>Polarizing Slide</b>		●
<b>Analyzing Slide</b>		●
<b>Illuminator</b>	6V/30W Halogen Lamp	
	Spare Lamp: 2 pcs	●
	Spare Fuse: 2 pcs	
<b>Filters</b>	Blue, Green, Grey, White	●

Packing Size: 586mm × 586mm × 330mm

Gross Weight: 14.5 kg

Net Weight: 11 kg

## Dimensions:



**Microteb**

Tel: 021 66 97 60 37

Fax: 021 66 90 33 54

[www.microscope.ir](http://www.microscope.ir)