

BK-POL Polarizing Microscope



Microteb

Tel: 021 66 97 60 37

Fax: 021 66 90 33 54

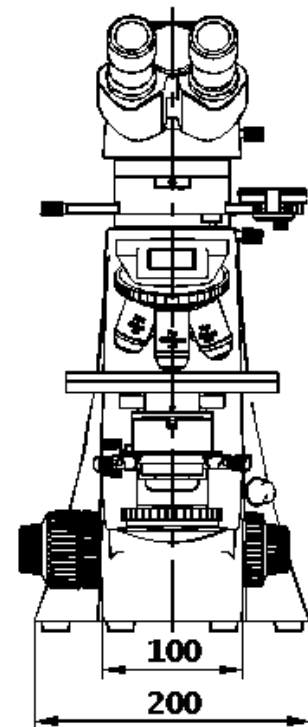
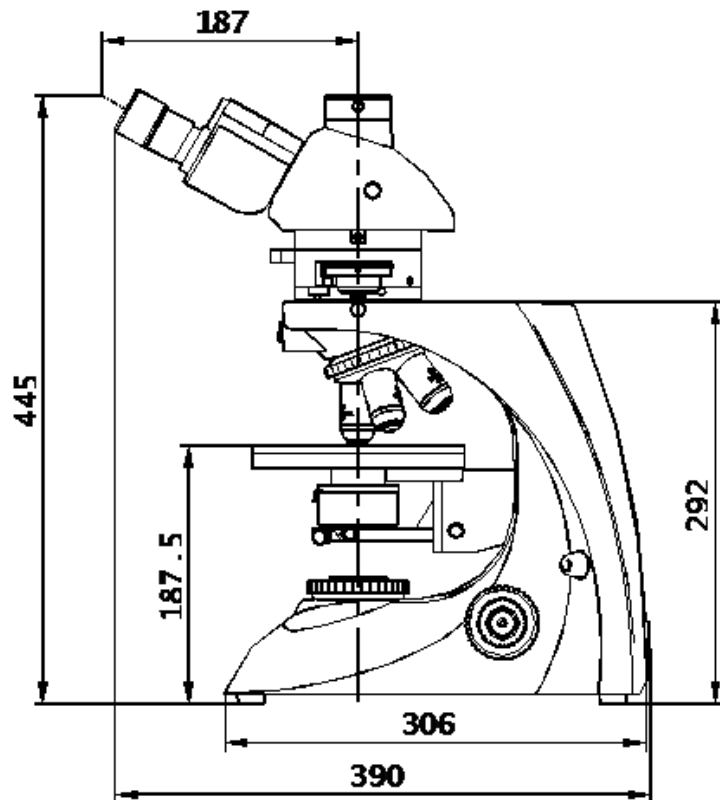
www.microteb.com

Specification:

Items	Specification	BK-POL
Eyepiece	WF10×-20 mm	●
	WF10×-20 mm (Reticule 0.1mm)	●
Non-stress Infinity Plan Objective	4×/0.10	●
	10×/0.25	●
	20×/0.45 (S)	●
	40×/0.65 (S)	●
	60×/0.80 (S)	○
Binocular Head	Inclined 30°, Rotatable 360°, Interpupillary Distance: 50-75mm	●
Trinocular Head	Inclined 30°, Rotatable 360°, Interpupillary Distance: 55-75mm, Light Distribution: 0:100	○
Nosepiece	Quintuple (Adjustable independence)	●
Polarizing Unit	Rotatable 360°(Module Type, Can Be Locked)	●
Bertrand Lens	Inbuilt, Center Adjustable	●
λSlip	First Class Red	●
λ/4 Slip		●
Quartz Wedge	(I-IV Class)	●
Revolving Round Stage	Rotatable 360°, Center Adjustable, Division 1°, Vernier division 6'	●
Polarizing Attached Mechanical Stage		○
Condenser	Abbe N.A. 1.25, Non-stress	●
Polarizing Unit with Scale	Rotatable 360°, Can Be Locked	●
Koehler Illumination	6V/20W Halogen Lamp	●
2 A Fuse	Spare: 1 pc	●
Filter	Blue	●
	Amber	○
	Green	○
	Neutral	○
C-mount	0.5×, 1×	○
Adaptor for Digital Camera		○

Note: "●" In Table Is Standard Attachment. "○" Is Optional Accessories.

Dimensions:



Packing Size: 550mm × 305mm × 400mm

Net Weight: 10 kg

Gross Weight: 12 kg

Microteb

Tel: 021 66 97 60 37

Fax: 021 66 90 33 54

www.microteb.com